

ABO valve

we make processes work

CHECK VALVES

DUAL PLATE CHECK VALVES SERIES 700

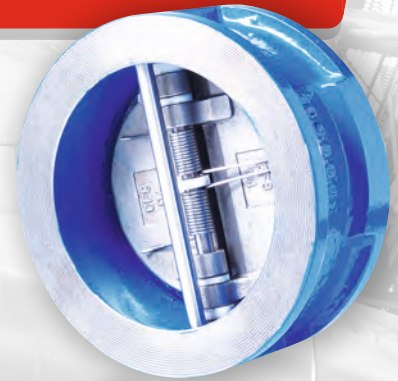
Nominal size	DN50 - DN1200
Working pressure	10 bar / 16 bar
Flange connection	PN10 / PN16
Working temperature	-25 °C / +125 °C
Working media	Pure water / Sewage / Soil water / Thick and viscous liquids

DUAL PLATE CHECK VALVES SERIES 700 HP

Nominal size	DN50 - DN600
Working pressure	10 bar / 16 bar
Flange connection	PN10 / PN16 / PN25
Working temperature	-25 °C / +125 °C
Working media	Pure water / Waste water / Oil & gas

SWING CHECK VALVES SERIES 800

Nominal size	DN50 - DN300
Working pressure	10 bar / 16 bar
Flange connection	PN10 / PN16
Working temperature	-25 °C / +125 °C
Working media	Waste water / Pure water / Heating systems / Soil water / Oils / Thick and viscous liquids



SERIES 700 / 800

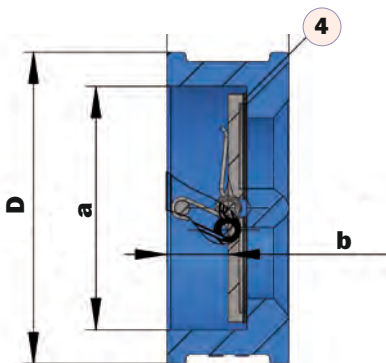
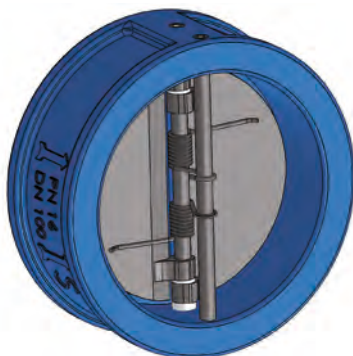
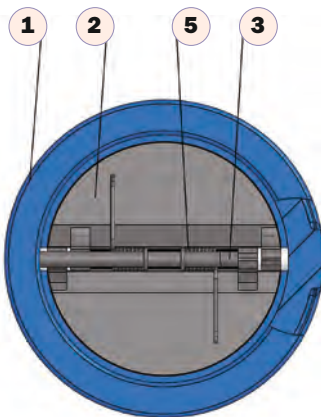
www.abovalve.com

DUAL PLATE CHECK VALVES SERIES 700

Czech Industrial Valve Manufacturer

Basic properties

- compact valve
- preferred vertical installation in the pipeline
- short face to face connection with good hydraulic performance
- mounting between flanges
- low pressure drops during medium flow rate



2 / ABO valve Czech

Standards

Leak test	ČSN EN 12266-1, Class A ISO 5208, Class A
Face to face length	ČSN EN 558
Flange connection	ČSN EN 6708 EN 1092-1,2
Working standard	EN 12334
Marking	EN19

Material performance

1	Body	Ductile iron 0.7040 (GGG40)
2	Disc	Stainless steel 1.4308 (CF8)
3	Stem	Stainless steel 1.4301 (AISI 304)
4	Seat	NBR (-10 °C / +100 °C) EPDM (-25 °C / 125 °C)
5	Spring	Stainless steel 1.4301 (AISI 304)

Basic dimensions

DN		L	PN10	PN16	a	b	r	kg
mm	inch		D	D				
50	2"	43	107		46	7,6	28,8	1,5
65	2"1/2	46	127		58	12,9	33	2,4
80	3"	64	142		66	14	40	3,8
100	4"	64	162		94	23	53,1	4,7
125	5"	70	192		120	32,8	65,7	6,3
150	6"	76	218		144,6	42,6	78,6	9,3
200	8"	89	273		198	67,4	104,4	15,2
250	10"	114	328		244	72	127	26
300	12"	114	378	388	283,9	100	148,3	40,7
350	14"	127	438	444	333	121	172,5	55
400	16"	140	489	495	381	136,8	197,5	75
450	18"	152	539	555	420	147,7	217,8	118
500	20"	152	594	617	475,3	179,5	244,6	173
600	24"	178	695	734	585	220	301,5	200
700	28"	229	810	804	690	250	352	260
800	32"	241	917	911	780	290	395	340
900	36"	241	1017	1011	850	332	445	520
1000	40"	300	1124	1128	940	332	483	760
1200	48"	350	1341	1342	1150	442	601	1200

Dimensions are mentioned in mm.

DUAL PLATE CHECK VALVES SERIES 700 HP



Basic properties

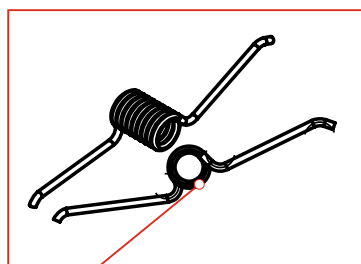
- max. operating pressure up to 24 bar
- high-performance dual plate check valve
- long-life and trouble-free maintenance
- compact design
- light weight thus easier handling and self supporting
- no external devices requirement
- same valve can be installed vertically or horizontally



Standards

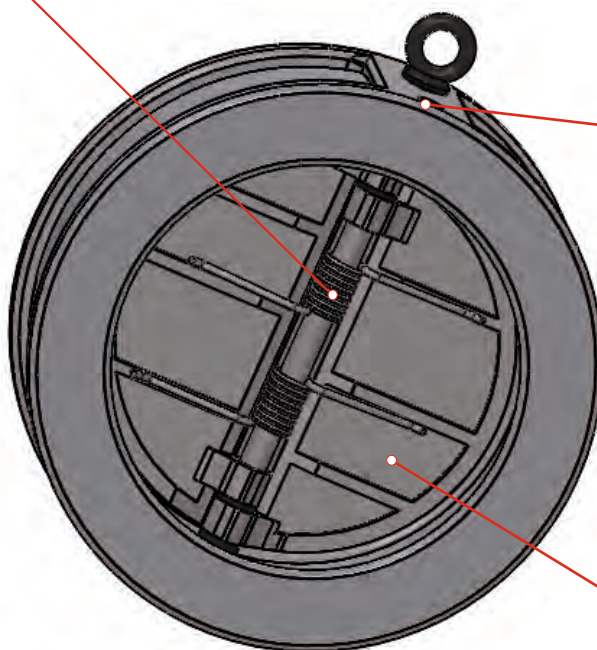
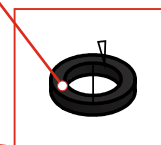
Leak test	ČSN EN 12266-1, Class A *) ISO 5208, Class A API 598, Table 5
Face to face length	API 594
Flange connection	ASME B16.5
Working standard	ASME B16.34
Marking	EN19

*) for tightness rate A, please consult with manufacturer

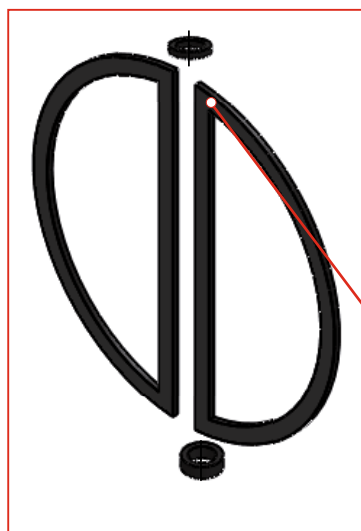


Spring loading on the plate assists valve closing ensure tight seal and minimize slamming.

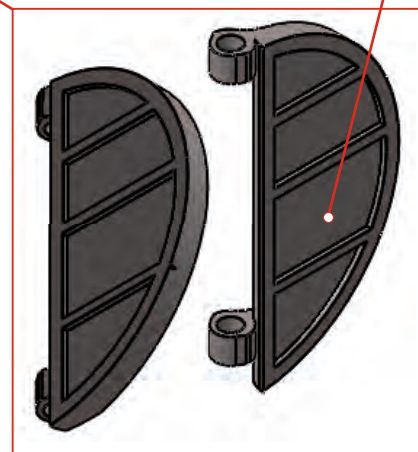
Pin retaining plugs fitted with graphite gasket for riresafe and leak free seal.



Dual plate design minimized valve cracking pressure and reduced valve pressure drops.



Dual plate design minimized valve cracking pressure and reduced valve pressure drops.

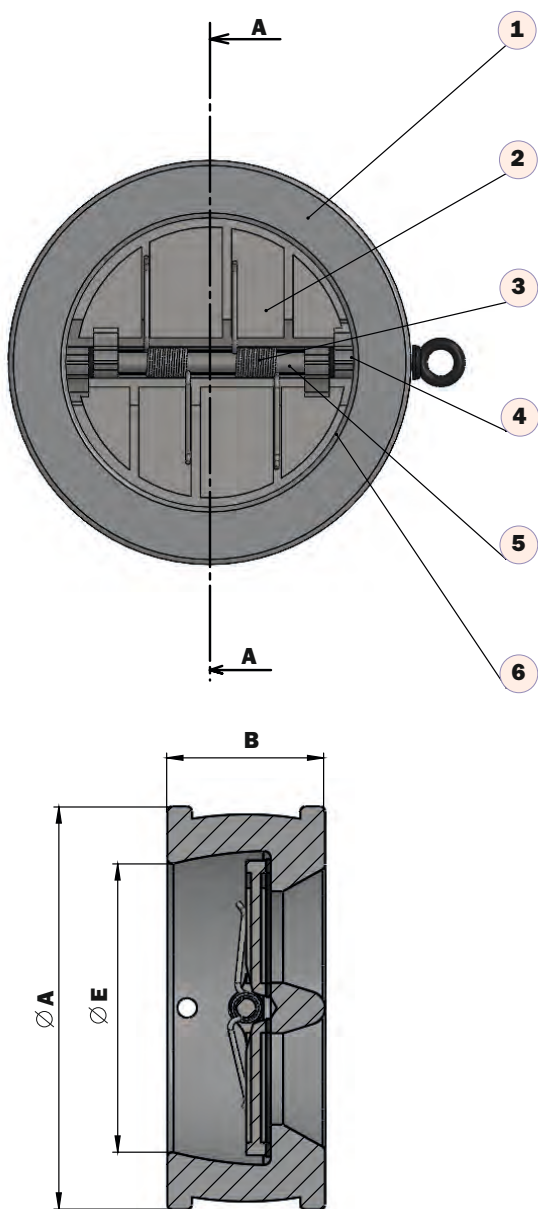


DUAL PLATE CHECK VALVES SERIES 700 HP

Czech Industrial Valve Manufacturer

Material performance

1	Body	ASTM B148 C95800
2	Disc	ASTM B148 C95800
3	Spring	Inconel X750
4	Bearing	ASTM B148 C95800
5	Stem	Monel 400
6	Seat	Lintegral



Basic dimensions

DN		A	B	E	Kg
mm	inch				
50	2"	104	60	40	2,5
65	2"1/2	123	66	60	3
80	3"	136	73	75	4
100	4"	174	73	90	6,5
125	5"	197	85	120	10
150	6"	222	98	145	12
200	8"	279	127	175	25
250	10"	339	146	240	32
300	12"	409	181	295	57
350	14"	450	184	350	85
400	16"	514	191	380	128
450	18"	549	203	425	131
500	20"	606	219	495	198
600	24"	717	222	590	260

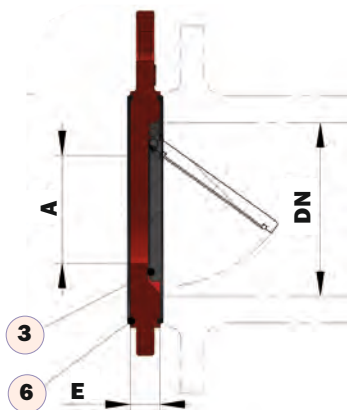
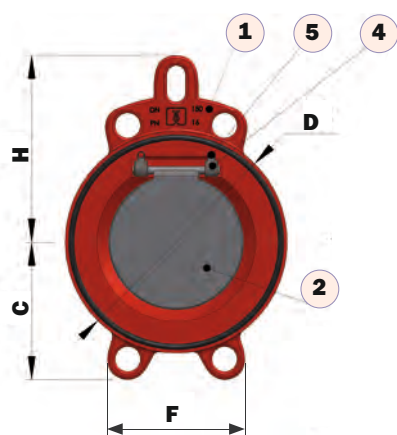
Dimensions are mentioned in mm.

SWING CHECK VALVES SERIES 800



Basic properties

- simple design and easy assembly
- direct installation between DIN flanges
- short construction length
- low weight, easy manipulation



Standards

Leak test	ČSN EN 12266-1, Class A ISO 5208, Class A
Flange connection	EN ISO 6708 EN 1092-1,2
Working standard	EN 12334
Marking	EN19

Material performance

1	Body	Ductile iron 0.7040 (GGG40)
2	Disc	Stainless steel 1.4308 (CF8)
3	Seat	NBR (-10 °C / +100 °C) - marking 814 EPDM (-25 °C / 125 °C) - marking 824
4	Holder	Stainless steel 1.4308 (CF8)
5	Bolt	Stainless steel 1.4301 (AISI 304)
6	Flange sealing	Elastomer

Special seats - Viton / Silicon - upon request.

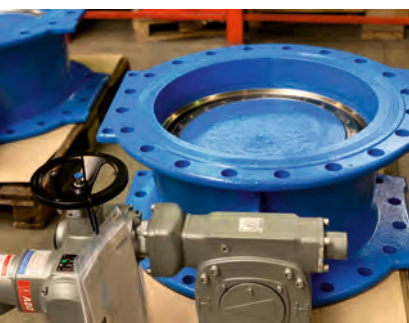
Basic dimensions

DN		A	C	D	E	F	H	Kg
mm	inch							
50	2"	22	64	99	18	130	125	1,3
65	2"1/2	38	72	118	20	142	135	1,8
80	3"	44	93	132	20	150	142	2,3
100	4"	70	107	158	20	112	157	2,6
125	5"	95	119	184	22	120	169	3,5
150	6"	114	133	212	22	137	185	4,5
200	8"	140	166	268	22	159	214	7
250	10"	185	198	319	29	141	246	12
300	12"	216	234	370	38	162	284	21,5

Dimensions are mentioned in mm.

CONTACT US

Czech Industrial Valve Manufacturer



Czech Republic

ABO valve, s.r.o.
Dalimilova 285/54
783 35 Olomouc
tel.: +420 585 224 087
sales@abovalve.com

Slovak Republic

ABO Slovakia, s.r.o.
Banská Bystrica
tel.: +421 484 145 633
sales.sk@abovalve.com

Germany

ABO Armaturen GmbH
Essen
tel.: +49 (0)152 262 29501
sales.de@abovalve.com

Russia

ABO Armatura LLC
Smolensk
tel.: +7 (4812) 240 020
sales.ru@abovalve.com

Ukraine

ABO Ukraine LLC
Dnipro
tel.: +38 056 733 95 70
sales.ua@abovalve.com

Turkey

ABO Armaturen LTD STI
Istanbul
tel.: +90 216 527 36 34
sales.tr@abovalve.com

China

ABO Flow Control
Shanghai
tel.: +86 136 01 522 831
sales.cn@abovalve.com

India

ABO Controls Pvt. Ltd.
Mumbai
tel.: +91 99 2002 9994
sales.in@abovalve.com

Singapore

ABO Valve Pte. Ltd.
Singapore
tel.: +65 9169 4562
sales.sg@abovalve.com

United Arab Emirates

Sales representation
Abu Dhabi
tel.: +971 56 9207964
bharti@abovalve.com

Bahrain

Sales representation
Manama
tel.: +973 3444 9065
jimnichen@abovalve.com

Valid since: 08/2021



Follow us on:



www.abovalve.com



The technical information described in this leaflet is tentative and for general use only and does not constitute a recommendation or guarantee for any specific service or application requirement. Please consult ABO representative or factory for specific requirements and material selection for your intended application. The right to change or modify product design or product without prior notice is reserved. ABO valve accepts no liability for damages caused by bad interpretation or use of the information included in this brochure.